

LOWS:
Loose

MIDS:
Aggressive

HIGHS:
Bright

OVERDRIVE:
Edgy

Sound Features:

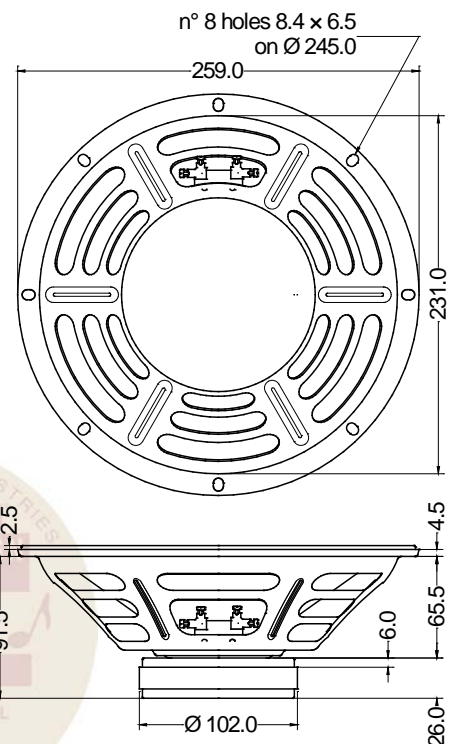
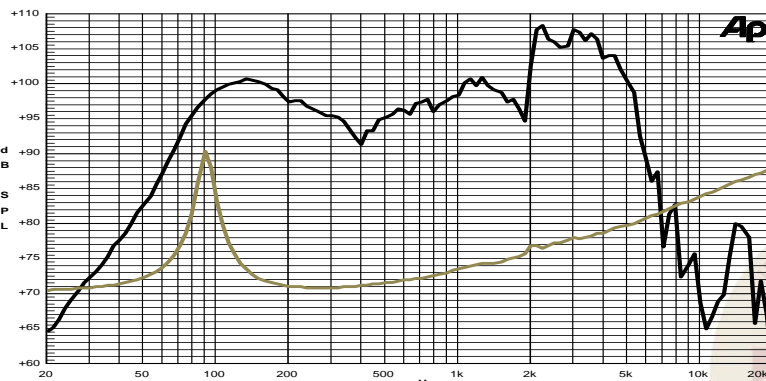
Guitarist Description:

Straightforward tone with mid-frequency bite. Presented with overdrive distortion, it can sound edgy.

Specifications	
Nominal Diameter	259 mm (10")
Nominal Impedance	8 Ω
Rated Power AES ⁽¹⁾	35 W
Continuous Program Power ⁽²⁾	70 W
Sensitivity @ 1W/1m	94.7 dB
Voice Coil Diameter	32 mm
Voice Coil Winding Depth	9 mm
Magnetic Gap Depth	6 mm
Flux Density	0.92 T
Magnet Weight	426 g
Net Weight	1.6 kg

Thiele & Small Parameters ⁽³⁾			
Re	6.00 Ω	Fs	96.0 Hz
Qms	9.78	Mms	18.3 g
Qts	1.30	Bxl	6.64 Tm
Cms	150 μm/N	Sd	330.1 cm ²
Vas	23.2 l	Le (1kHz)	0.62 mH

Constructive Characteristics	
Magnet	Ferrite
Basket Material	Pressed Sheet Steel
Voice Coil Winding Material	Copper
Voice Coil Former Material	Epotex
Cone Material	Paper
Surround Treatment	No
Surround Material	Paper - Integrated
Dust Dome Material	Solid Paper



Note:

- 1: Rated Power measured with 2 hours test with pink noise signal, 6dB crest factor, loudspeaker mounted on enclosure
- 2: Power on Continuous Program is defined as 3 dB greater than the Rated Power
- 3: Thiele & Small parameters measured with laser system without preconditioning test
- 4: Drawing dimensions: mm
- 5: The notch around 400Hz on the frequency response is typical of the measurement on IEC baffle

30/01/15