

1

2

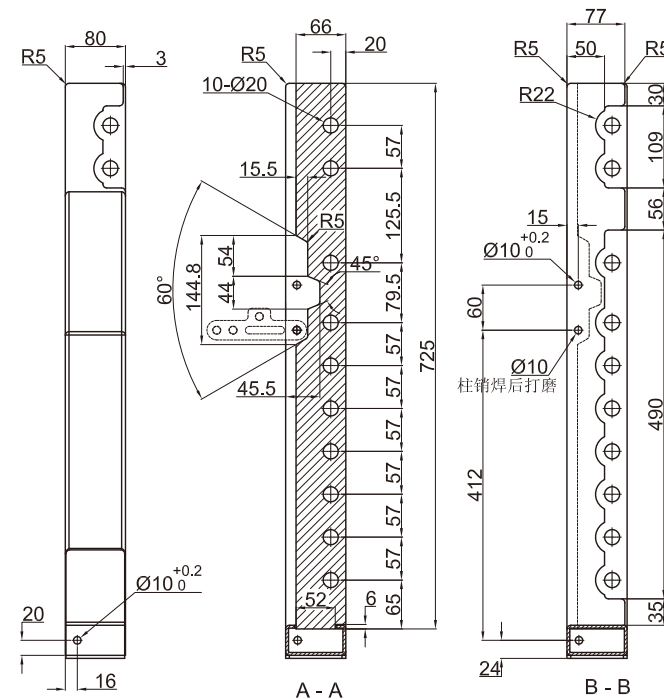
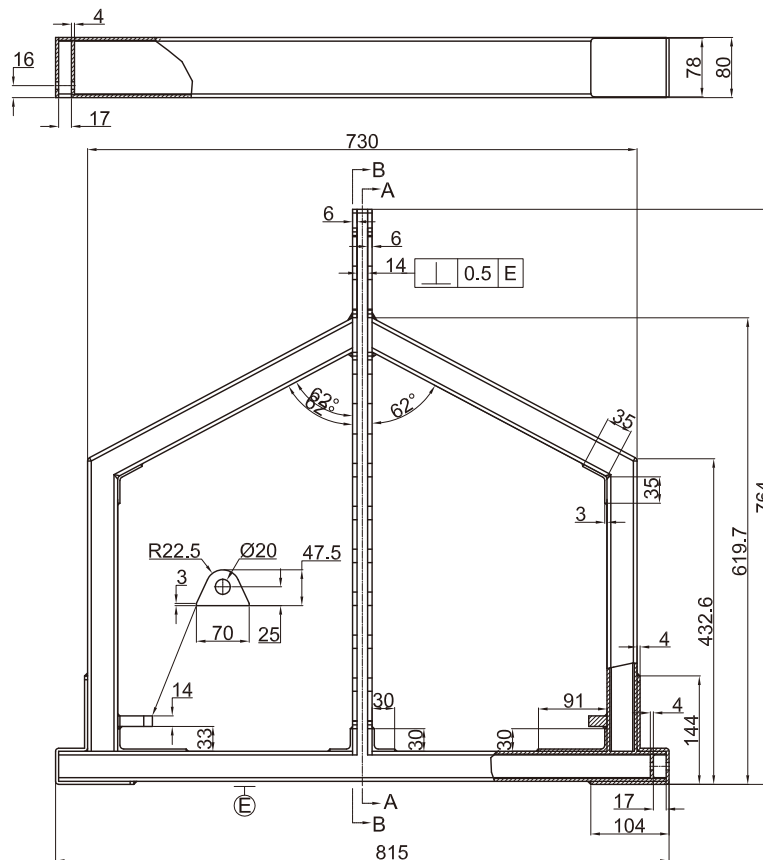
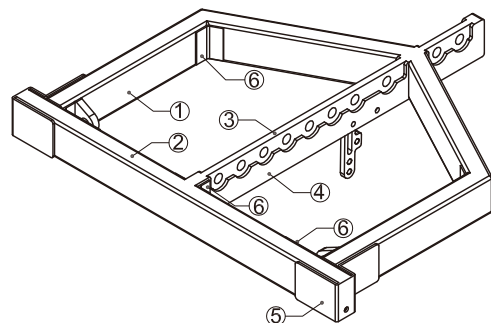
3

4

REV	CHANGE NUMBER	DATE
A		

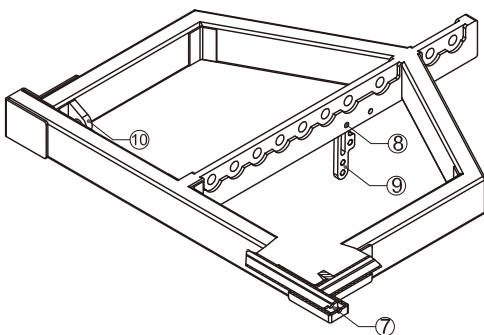
C

C



B

B



FRONT

SIDE

A

A

UNLESS OTHERWISE SPECIFIED ALL DIMENSIONS ARE IN MILLIMETER FOR REF ONLY		
	TITLE: al-8-fb	
本体重量：28.1 kg 耐荷重/安全率(7:1)kg，911.0	SHEET 1 OF 1	SCALE: 1 TO 14
	DRAWING NUMBER: AL8FB862015	
	REVISION: A	VELLUM

1

2

3

4